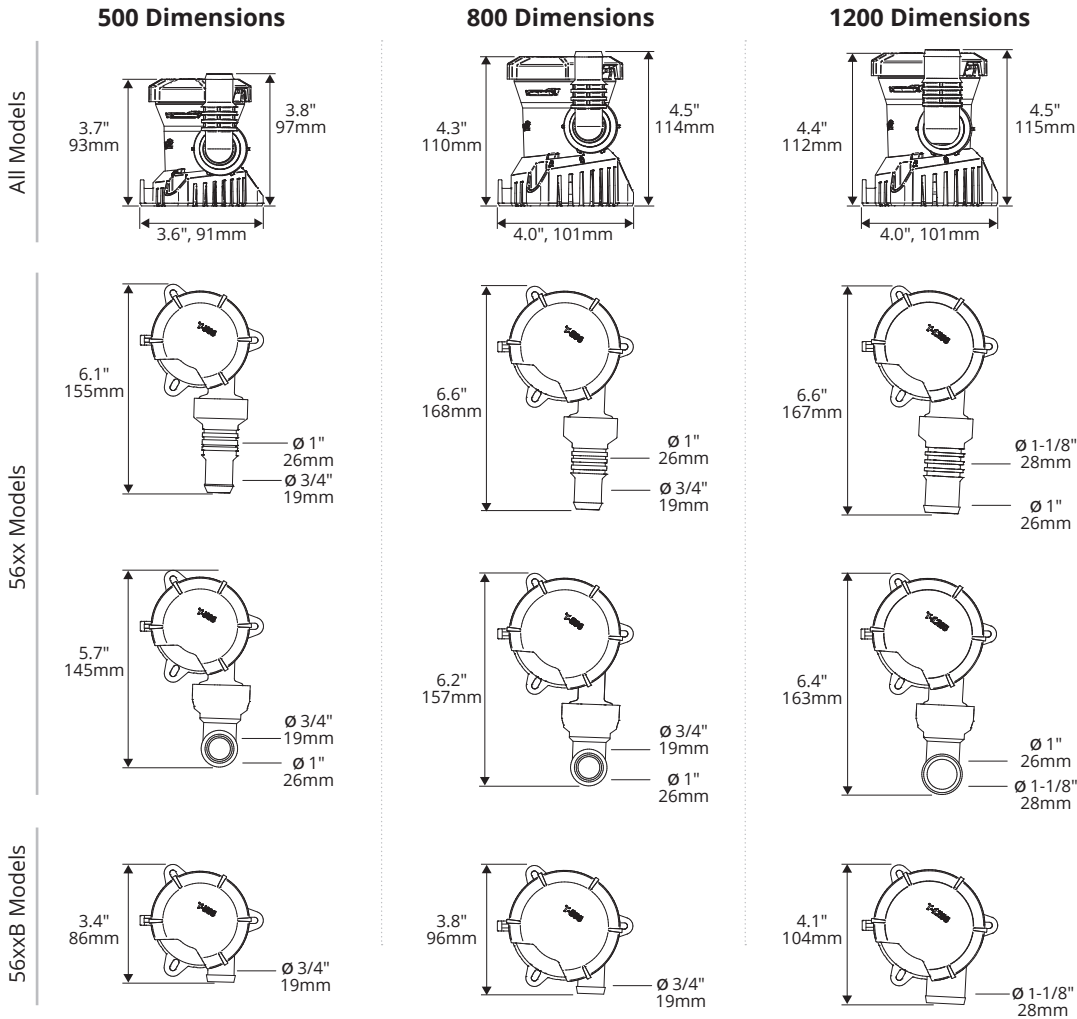




## Bilge Pump Dimensions



## Performance Charts

